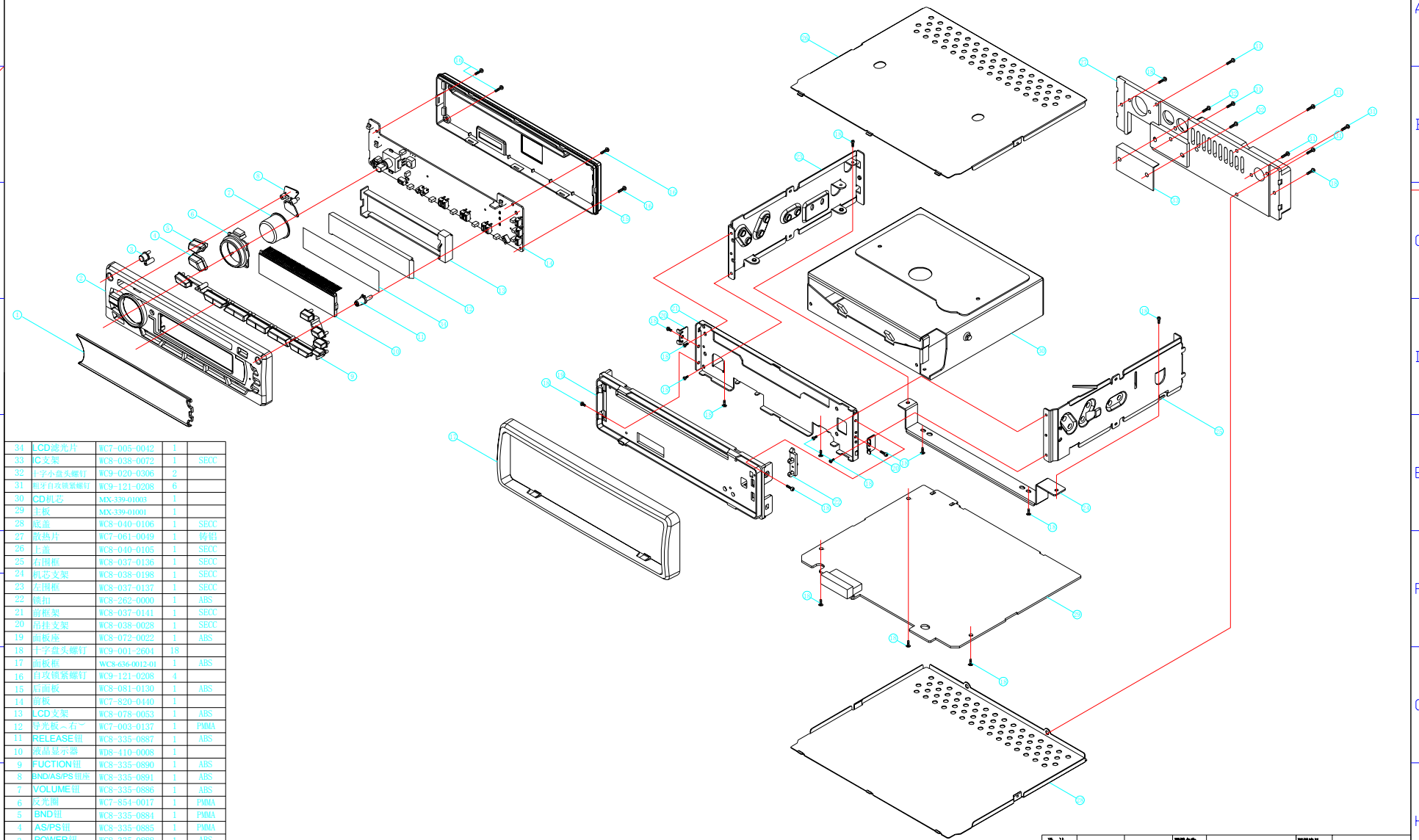


Elenberg MX-339

标记	数量	更改内容	姓名	日期

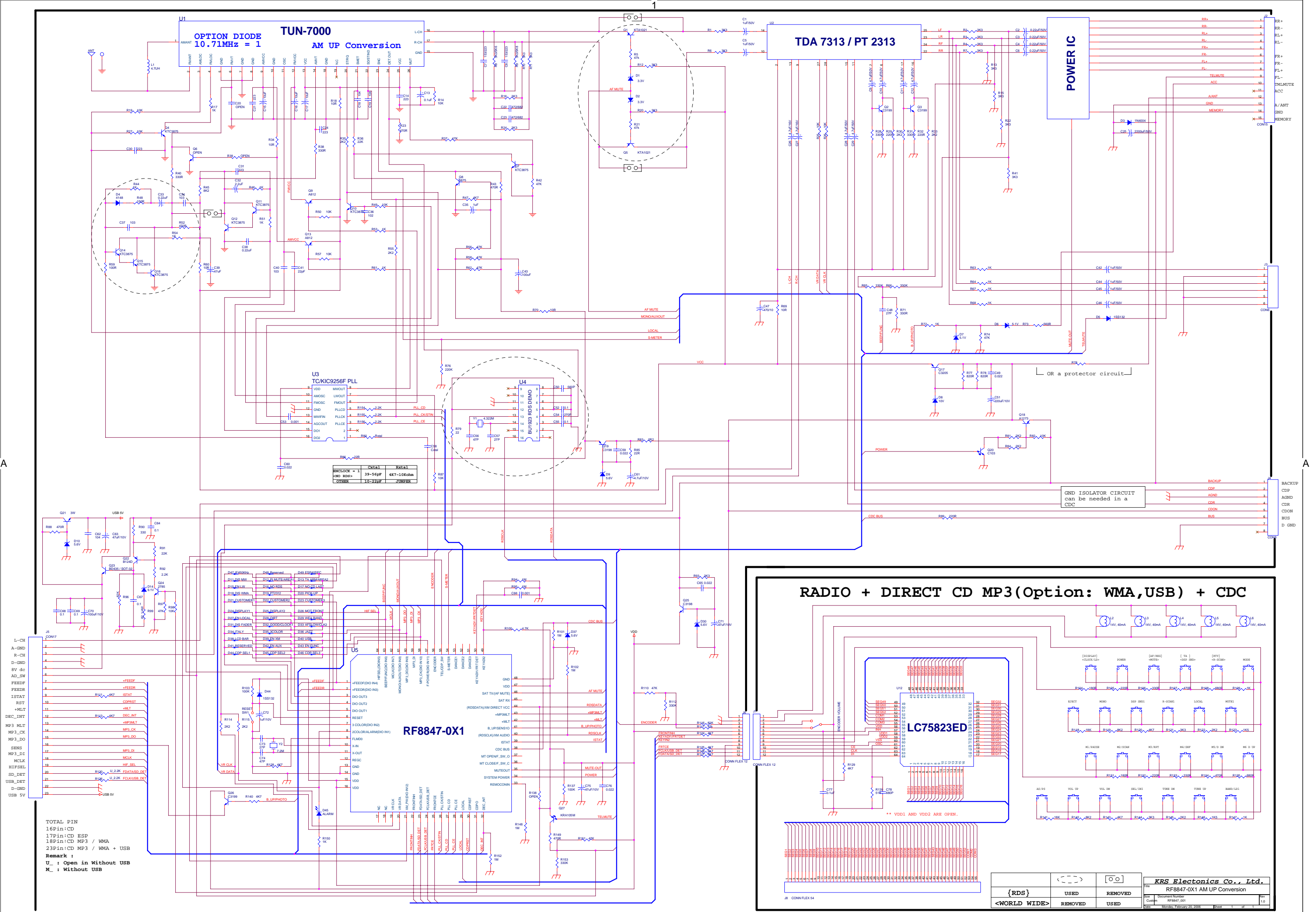


34	LCD透光片	WC7-005-0042	1	
33	C支架	WC8-038-0072	1	SECC
32	十字小盘头螺钉	WC9-020-0306	2	
31	十字小盘头螺钉	WC9-121-0208	6	
30	CD机芯	MX-339-01003	1	
29	主板	MX-339-01001	1	
28	底座	WC8-040-0106	1	SECC
27	散热片	WC7-061-0049	1	铸铝
26	上盖	WC8-040-0105	1	SECC
25	右围框	WC8-037-0136	1	SECC
24	机芯支架	WC8-038-0198	1	SECC
23	左围框	WC8-037-0137	1	SECC
22	按钮	WC8-262-0000	1	ABS
21	前板架	WC8-037-0141	1	SECC
20	吊挂支架	WC8-038-0028	1	SECC
19	前板座	WC8-072-0022	1	ABS
18	十字盘头螺钉	WC9-001-2604	18	
17	面板框	WC8-636-0012-01	1	ABS
16	自攻锁紧螺钉	WC9-121-0208	4	
15	后面板	WC8-081-0130	1	ABS
14	前板	WC7-820-0440	1	
13	LCD支架	WC8-078-0053	1	ABS
12	透光板-右	WC7-003-0137	1	PMMA
11	RELEASE键	WC8-335-0887	1	ABS
10	液晶显示器	WD8-410-0008	1	
9	FUNCTION键	WC8-335-0890	1	ABS
8	ND/AS/PS键	WC8-335-0891	1	ABS
7	VOLUME键	WC8-335-0886	1	ABS
6	透光圈	WC7-854-0017	1	PMMA
5	BND键	WC8-335-0884	1	PMMA
4	AS/PS键	WC8-335-0885	1	PMMA
3	POWER键	WC8-335-0888	1	ABS
2	前面板	WC8-081-0150	1	ABS
1	LCD镜片	WC7-001-0092	1	PMMA

设计		图样名称		图样编号	
审核		材料:		产品名称	HS-C1136
工艺		比例	0.5:1	版本	首次
标准化		制图标准		比例	/
批准		第三视角	☉ ☽	单位	mm
		深圳市康盛电子有限公司			

Spare Parts List (MX-339)

Item	Description	Qty	Part №
1	LCD LENS	1	WC7-001-0092
2	FRONT PANEL	1	WC8-081-0150
3	POWER KNOB	1	WC8-335-0888
4	AS/PS KNOB	1	WC8-335-0885
5	BND KNOB	1	WC8-335-0884
6	LIGHT CIRCLE VOLUME KNOB	1	WC7-854-0017
7	VOLUME KNOB	1	WC8-335-0886
8	BND/AS/PS KNOB SEAT	1	WC8-335-0891
9	FUCTION KNOB	1	WC8-335-0890
10	LCD DISPLEY	1	WD8-410-0008
11	RELEASE KNOB	1	WC8-335-0887
12	BOARD TO TRANSMIT LIGHT	1	WC7-003-0137
13	LCD SUPPORT FRAME	1	WC8-078-0053
14	FRONT PANEL BOARD	1	WC7-820-0440
15	PANEL(BOTTOM)	1	WC8-081-0130
16	SCREW	4	WC9-121-0208
17	FRONT PANEL FRAME	1	WC8-636-0012-01
18	SCREW	18	WC9-001-2604
19	FACE BOARD SEAT	1	WC8-072-0022
20	HANG SUPPORT FRAME	1	WC8-038-0028
21	FRONT SUPPORT FRAME	1	WC8-037-0141
22	LOCK BUTTON	1	WC8-262-0000
23	LEFT SURROUND FRAME	1	WC8-037-0137
24	MACHINE CORE SUPPORT FRAME	1	WC8-038-0198
25	RIGHT SURROUND FRAME	1	WC8-037-0136
26	TOP COVER	1	WC8-040-0105
27	SCATTER HEAT SHEET	1	WC7-061-0049
28	BOTTOM COVER	1	WC8-040-0106
29	MAIN BOARD ASS'Y	1	MX-339-01001
30	CD DECK	1	MX-339-01003
31	SCREW	6	WC9-121-0208
32	SCREW	2	WC9-020-0306
33	IC SUPPORT FRAME	1	WC8-038-0072
34	LCD FILTER LIGHT SHEET	1	WC7-005-0042
	FRONT PANEL ASS'Y	1	MX-339-01004A
	IC TDA7381	1	WD8-000-7381



TUN-7000
AM UP Conversion

TDA 7313 / PT 2313

U3
TC/KIC9256F PLL

U4
BU1223 RDS DEMO

RF8847-0X1

RADIO + DIRECT CD MP3 (Option: WMA, USB) + CDC

U12
LC75823ED

TOTAL PIN
16Pin:CD
17Pin:CD ESP
18Pin:CD MP3 / WMA
23Pin:CD MP3 / WMA + USB
Remark :
U_ : Open in Without USB
M_ : Without USB

{RDS}	USED	REMOVED
<WORLD WIDE>	REMOVED	USED

KRS Electronics Co., Ltd.
 File: RF8847-0X1 AM UP Conversion
 Rev: 1.0
 Date: Monday, February 20, 2006

www.mobiteh.com